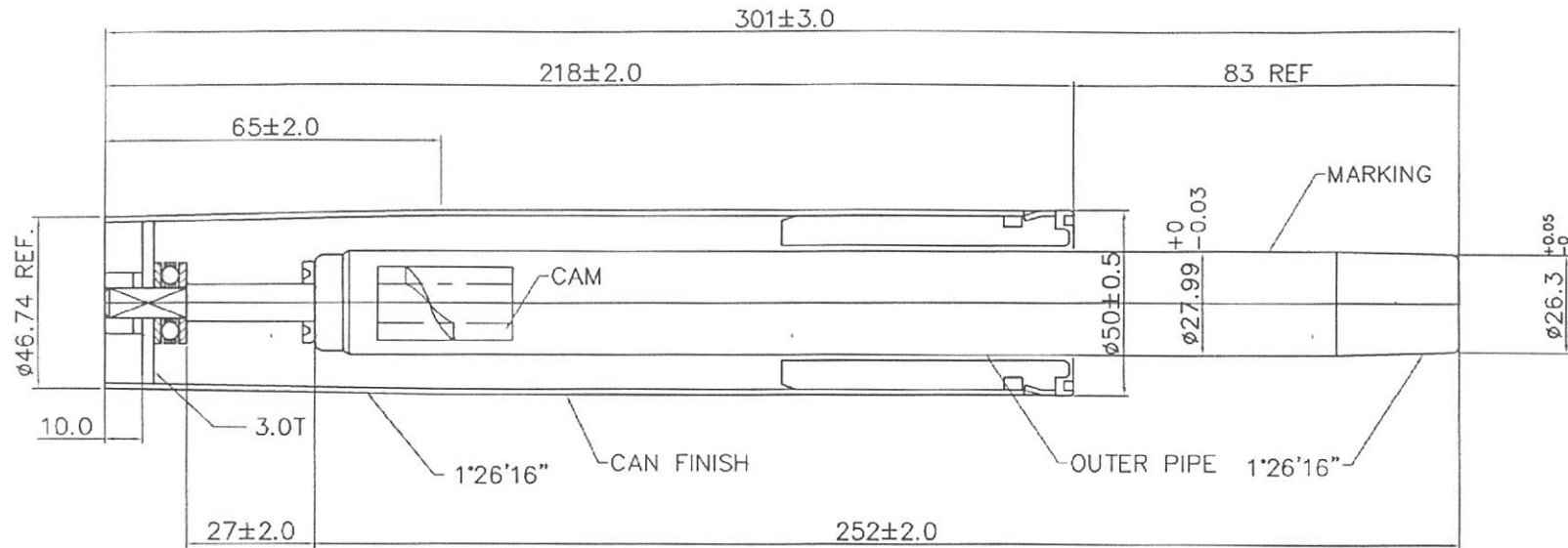
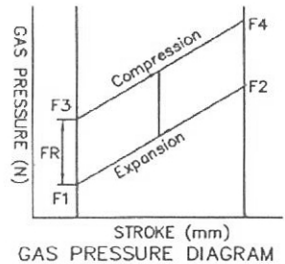


RETURN SPINDLE

SAMPLE NO : KGR0027-5045N-CS958



*CHAIR WEIGHT : MAX. 12Kgf



MARKING SPEC

MADE BY KGS CO.,LTD. 44/13
DON'T OPEN OR HEAT! HIGH PRESSURE!
TYPE KGL DIN 4550 KLASSE 3.

NOTES

1. GAS PRESSURE F1= 450-20N , FR MAX=80N +40N
2. OUTER PIPE : HARD CHROME PLATING(2.5T)
3. CAN FINISH : BLACK PAINTING (174B-027006)

REV	DATE	DESCRIPTION	DESIGNED	CHECKED	APPROVED		
△	200 . . .						
△	200 . . .						
NO	PART NO.	PART NAME	Q'TY	MATERIAL	REMARKS		
APPROVED		TITLE : RETURN SPINDLE					
CHECKED		Korea Gas Spring CO.,LTD.					
DESIGNED							
DATE	2013.10.29	TOL	X = ±0.5 XX = ±0.1	SCALE	N/S	DRAW-NO	