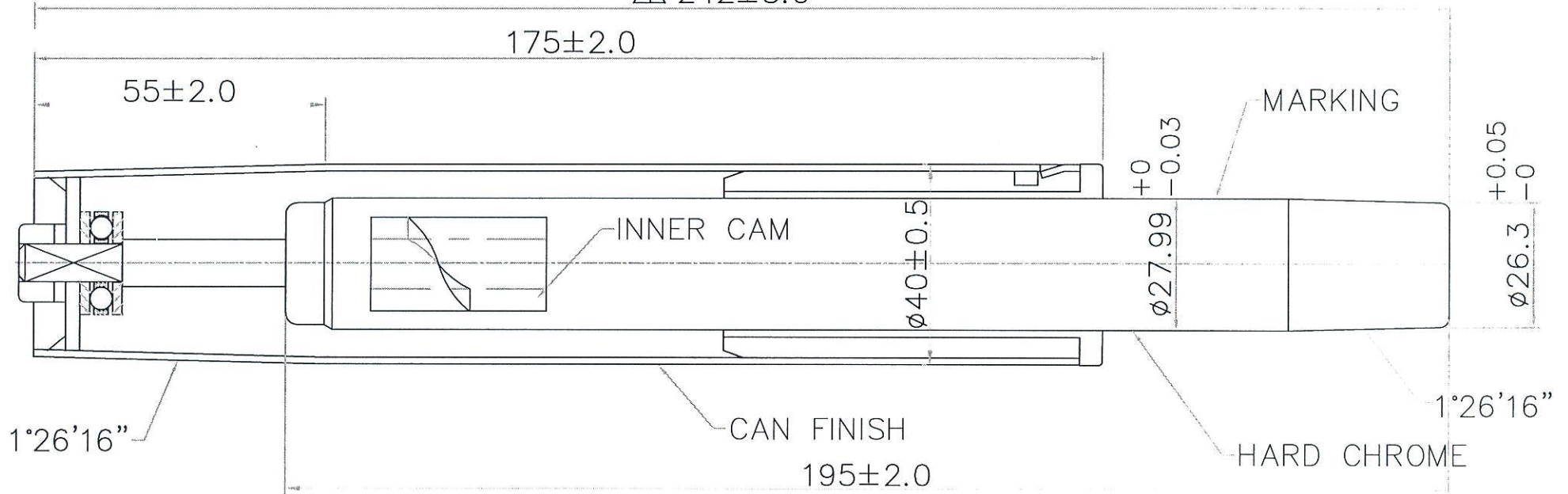


MODEL NO. : KGR0027-4045CS209-R2

BUYER CODE : 930-024


△ 242±3.0



NOTES


- △ 1. GAS PRESSURE F1=450 $\begin{matrix} +40N \\ -40N \end{matrix}$, FR MAX=120N
- 2. SPEC
 - 1) O-PIPE : $\phi 28 \times 2.5t$, 2) CAN : $\phi 40 \times 2.0t$
- 3. FINISH
 - 1) CAN : CHROME PLATING(2.0T)

MARKING SPEC



MADE BY KGS CO.,LTD.
DON'T OPEN OR HEAT! HIGH PRESSURE!
TYPE KGL DIN 4550 KLASSE 3. TUV
BS 5459 LEVEL "S"

08 04 A

REV	DATE	DESCRIPTION	DESIGNED	CHECKED	APPROVED
△	2008.08.07	F1=400N --> 450N			
△	2008.05.05	L237 --> 242			
NO	PART NO.	PART NAME	Q'TY	MATERIAL	REMARKS
APPROVED		TITLE : INNER CAM TYPE RETURN SPINDLE			
CHECKED		 Korea Gas Spring CO.,LTD.			
DESIGNED					
DATE	2008.04.01	TOL	$\begin{matrix} X \\ XX \end{matrix} = \begin{matrix} \pm 0.5 \\ \pm 0.1 \end{matrix}$	SCALE	N/S DRAW-NO