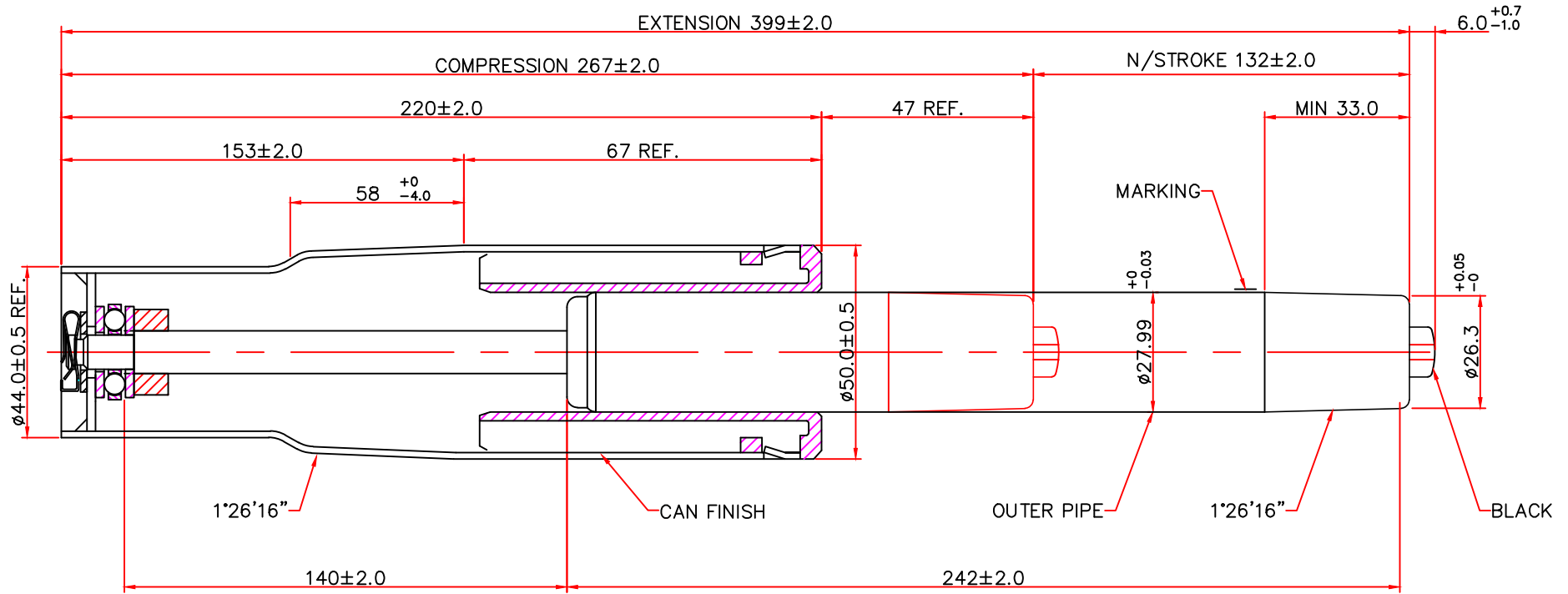
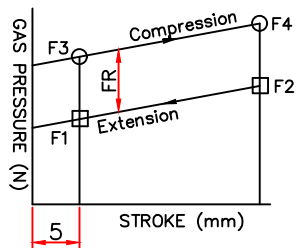


NAME / TITLE : GAS LIFT
 MODEL NO. : KGL4140-5035E(MD)



GAS PRESSURE DIAGRAM




MARKING SPEC


 MADE BY KGS CO.,LTD
 DO NOT OPEN OR HEAT! HIGH PRESSURE!
 TYPE KG EN 16955 KLASSE 4.

NOTES

1. GAS PRESSURE : F1=350N-20N, FR MAX = 80N
2. OUTER PIPE : BLACK HEAT TREATMENT(2.0T)
3. CAN FINISH : BLACK PAINTING(1.5T)(114B-140023)

REV	DATE	DESCRIPTION	DESIGNED	CHECKED	APPROVED	
△						
△						
△						
△						
NO	PART NO.	PART NAME	Q'TY	MATERIAL	REMARKS	
APPROVED		TITLE : GAS LIFT				
CHECKED		 Korea Gas Spring CO.,LTD				
DESIGNED						
DATE	2024.06.18	TOL	$\bar{x} = \pm 0.5$ $\sigma_x = \pm 0.1$	SCALE	N/S	DRAW-NO