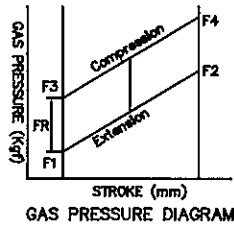
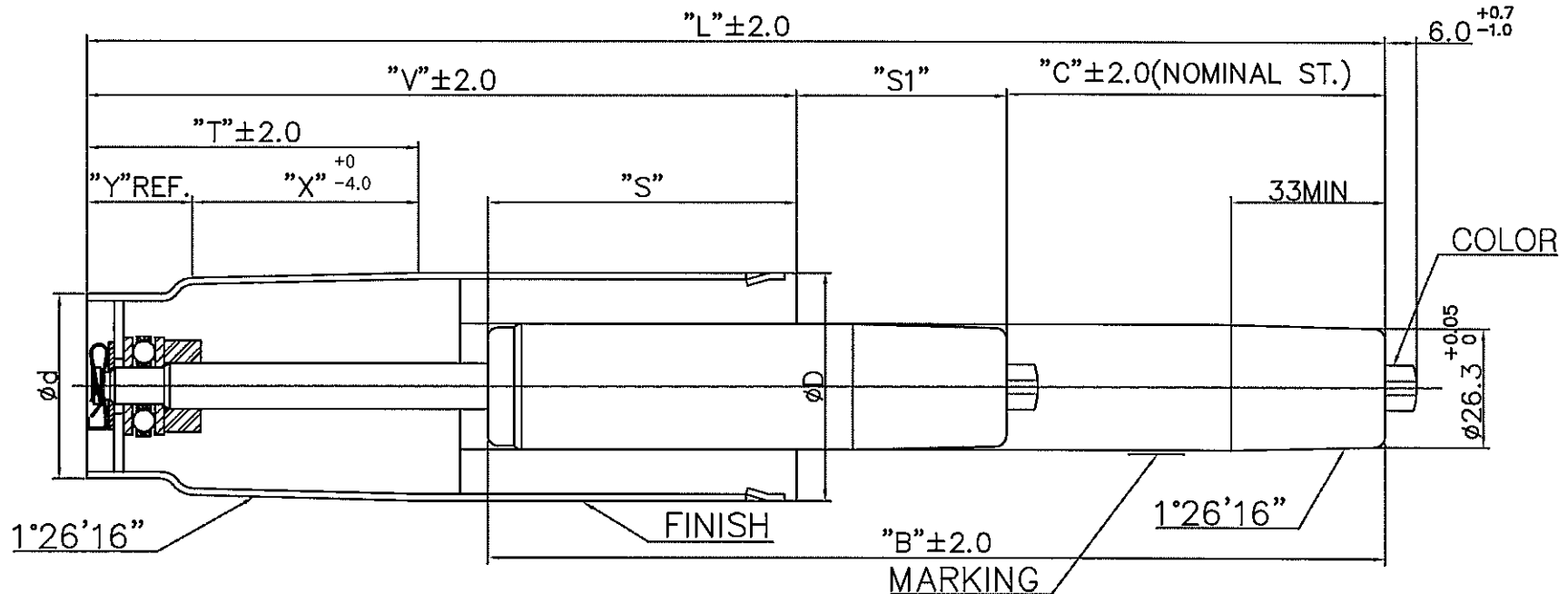


MODEL : GAS LIFT



12/11
 KGS MADE BY KGS CO.,LTD
 DON'T OPEN OR HEAT! HIGH PRESSURE!
 TYPE KGL DIN 4550 KLASSE 4, TUV, LGA
 BS 5459 LEVEL 'S'

- NOTES
1. GAS PRESSURE F1= 35 Kgf ^{+4Kgf} _{-2Kgf}, FR MAX=8Kgf
 2. CAN FINISH : BLACK PAINTING.
 3. OUTER PIPE : BLACK HEAT TREATMENT(2.5T).

| REV | DATE | DESCRIPTION | DESIGNED | CHECKED | APPROVED |
|----------|------------|-------------|---------------------------|----------|-------------|
| △ | 200 . . . | | | | |
| △ | 200 . . . | | | | |
| NO | PART NO. | PART NAME | Q'TY | MATERIAL | REMARKS |
| APPROVED | | | TITLE : GAS LIFT (MD) | | |
| CHECKED | | | Korea Gas Spring CO.,LTD. | | |
| DESIGNED | | | | | |
| DATE | 2011.03.23 | TOL | ± . . . | SCALE | N/S DRAW-NO |

| NO | MODEL NO. | "L" | "C" | "B" | "V" | "X" | "Y" | "T" | øD | ød | "S" | "S1" | F1(N) | COLOR | FINISH |
|----|-------------------|-----|-----|-----|-----|-----|-----|-----|-----|-----|-----|------|-------|-------|--------|
| 1 | KGL4120-5035C4218 | 360 | 112 | 223 | 200 | 58 | 70 | 128 | ø50 | ø40 | 63 | 48 | 350 | BLACK | BLACK |

KGS-F010

KGS CO.,LTD.

A4(297X210)