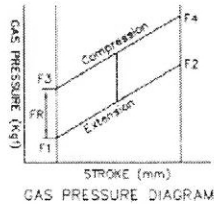
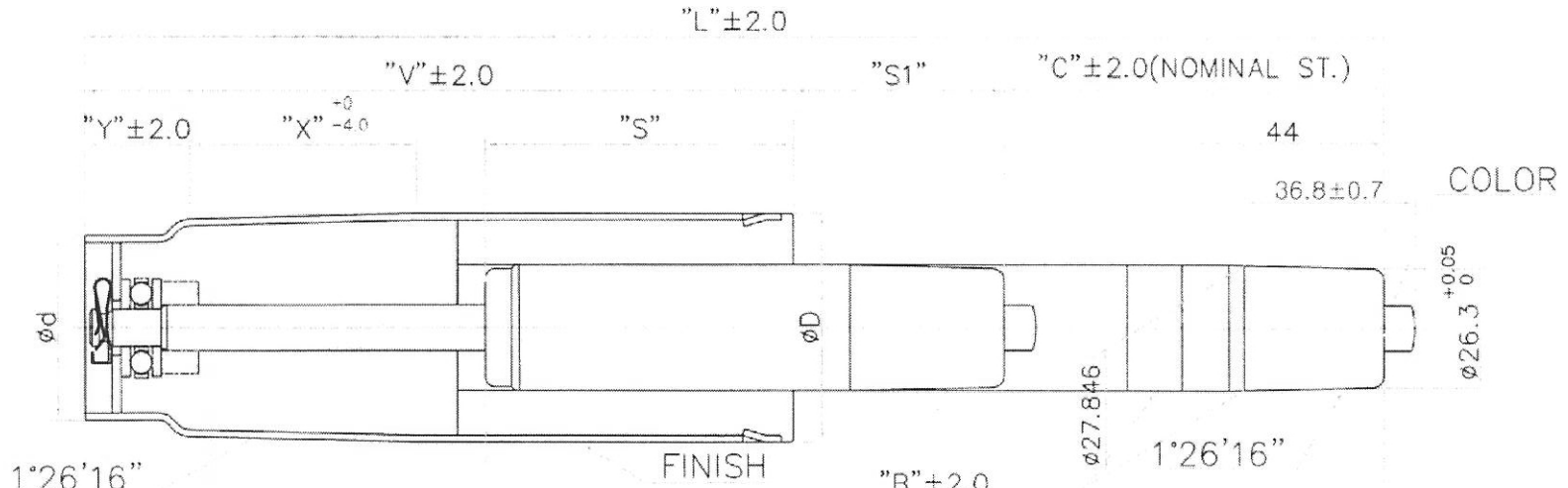


MODEL : GAS LIFT



"B"±2.0 MARKING

MAY BE KEPT TO THE
 DIMENSIONAL TOLERANCE
 TYPE K1 IN ISO 2868-1:1991
 BY THE USER

NOTES
 1. GAS PRESSURE F1= $\pm 4 \text{ kgf}$ F2= $\pm 2 \text{ kgf}$ F3= $\pm 8 \text{ kgf}$ F4= $\pm 8 \text{ kgf}$

- 2. CAN FINISH : BLACK PAINTING
- 3. OUTER PIPE : HARD CHROME PLATING(0.07)

NO	BUYER CODE	MODEL NO.	"L"	"C"	"B"	"V"	"X"	"Y"	ØD	Ød	"S"	"S1"	F1(N)	COLOR	FINISH
1		KGL1140-5035C1691	417	132	260	228	58	122	Ø50	Ø44	71	57	350	BLACK	BLACK
2	347	KGL1143-5035C1692	412	135	252	232	58	47	Ø50	Ø40	72	45	350	GREEN	BLACK
3	344	KGL1108-5035C1693	372	100	247	217	58	65	Ø50	Ø40	92	55	350	BLACK	BLACK
4	345	KGL1143-5040C1694	412	135	252	230	65	0	Ø50		70	47	400	GREEN	BLACK
5	346	KGL1100-5040C1695	349	92	232	185	65	0	Ø50		68	72	400	GREEN	BLACK

REV	DATE	DESCRIPTION	DESIGNED	CHECKED	APPROVED
△	200				
△	200				

NO	PART NO	PART NAME	Q'TY	MATERIAL	REMARKS
APPROVED					TITLE GAS LIFT (M)
CHECKED					KGS Korea Gas Spring CO.,LTD.
DESIGNED					
DATE	2008 04 01	TOL	K ₁ = ±0.05 K ₂ = ±0.1	SCALE	N/S DRAW-NO