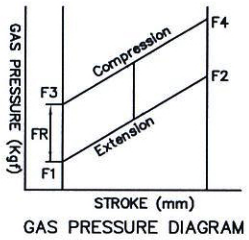
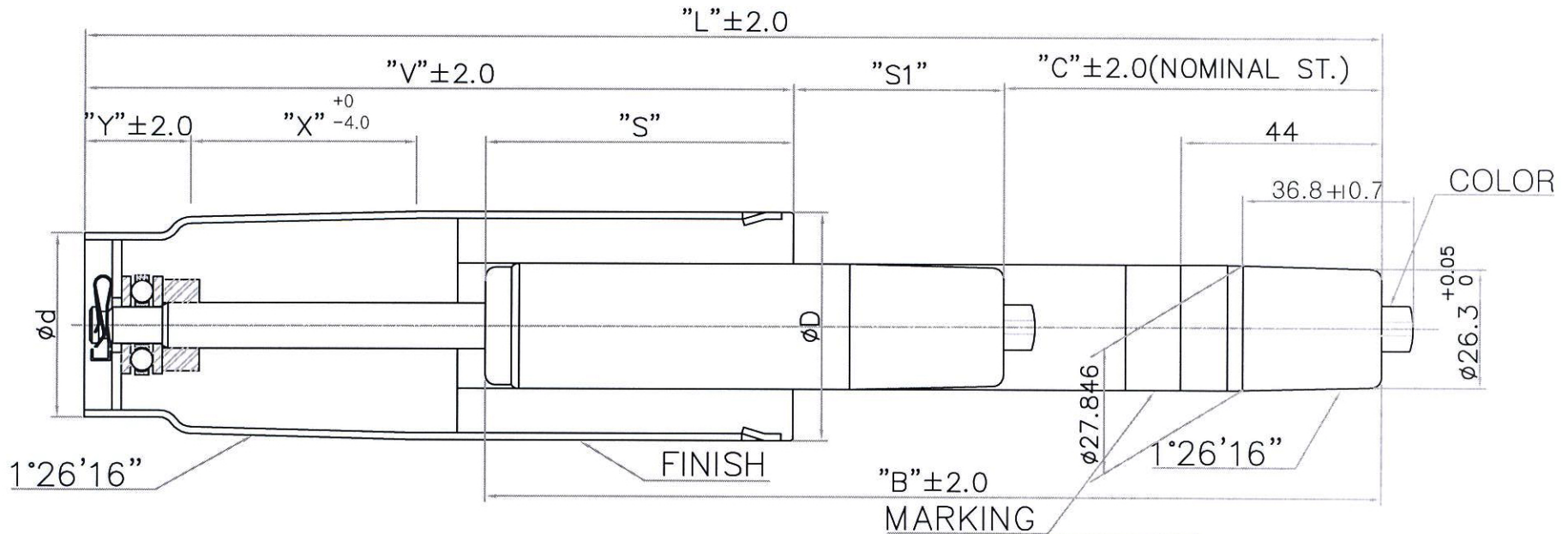


# MODEL : GAS LIFT



0807B  
 MADE BY KGS CO.,LTD  
 DON'T OPEN OR HEAT! HIGH PRESSURE!  
 TYPE KGL DIN 4550 KLASSE 3. TÜV. LGA  
 BS 5459 LEVEL "S"

- NOTES
- GAS PRESSURE F1= 30 Kgf  $\begin{matrix} +4\text{kgf} \\ -2\text{kgf} \end{matrix}$ , FR MAX=8kgf
  - CAN FINISH :
  - OUTER PIPE : HARD CHROME PLATING(2.0T).

NO	BUYER CODE	MODEL NO.	"L"	"C"	"B"	"V"	"X"	"Y"	∅D	∅d	"S"	"S1"	F1(N)	COLOR	FINISH
1	ITEM.ZAG/WHITE	KGL1120-5030C1916	384	112	247	215	58	75	∅50	∅44	78	57	300	BLACK	WHITE
2	MOD.C2 REXPIR	KGL1143-5030C1917	420	135	260	232	58	122	∅50	∅44	72	53	300	GREEN	BLACK

REV	DATE	DESCRIPTION	DESIGNED	CHECKED	APPROVED
△	200 . . .				
△	200 . . .				

NO	PART NO.	PART NAME	Q'TY	MATERIAL	REMARKS
APPROVED		TITLE : GAS LIFT (MD)			
CHECKED		Korea Gas Spring CO.,LTD.			
DESIGNED					
DATE	2008.07.24	TOL	X = ±0.5 XX = ±0.1	SCALE	N/S DRAW-NO