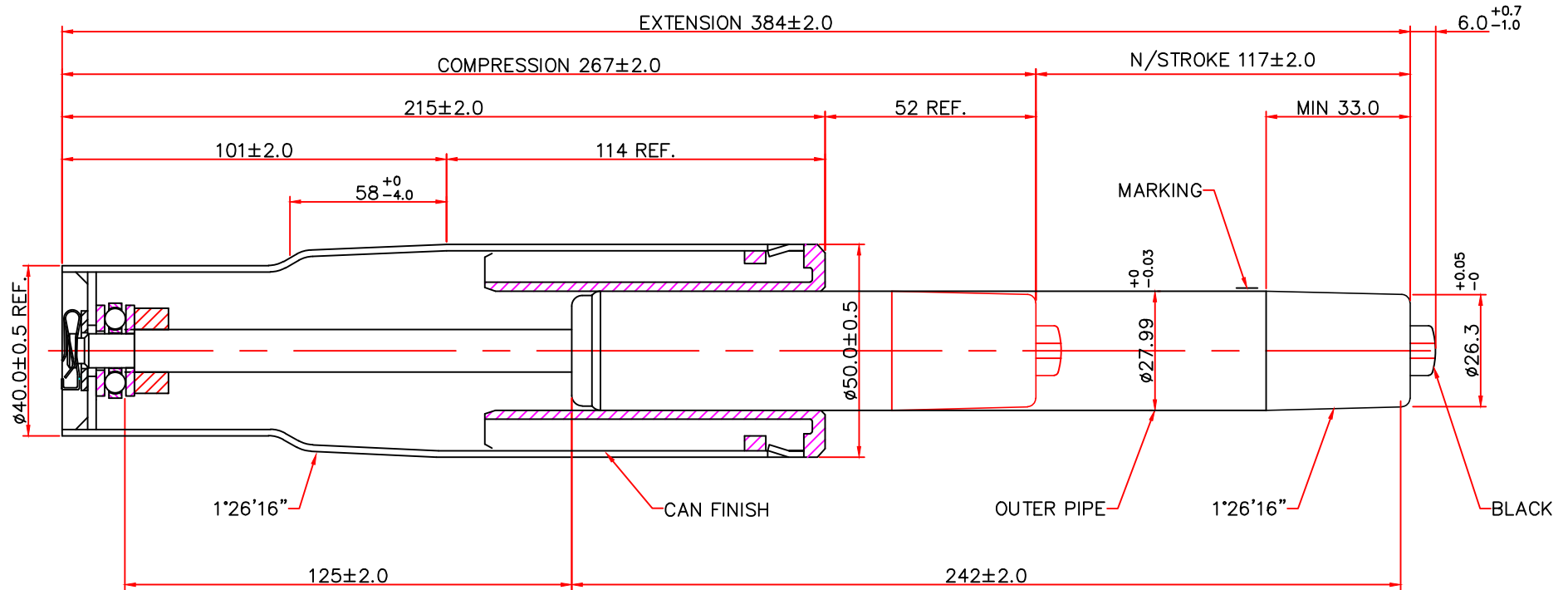
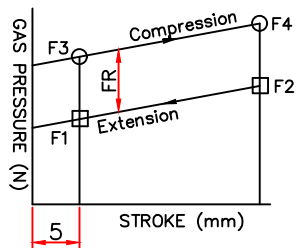


NAME / TITLE : GAS LIFT
 MODEL NO. : KGL1125-5035B(MD)



GAS PRESSURE DIAGRAM




MARKING SPEC


 MADE BY KGS CO.,LTD
 DO NOT OPEN OR HEAT! HIGH PRESSURE!
 TYPE KG EN 16955 KLASSE 3.

NOTES

1. GAS PRESSURE : F1=350N-20N, FR MAX = 80N
2. OUTER PIPE : HARD CHROME PLATING(2.0T)
3. CAN FINISH : BLACK PAINTING(1.5T)(114B-125003)

REV	DATE	DESCRIPTION	DESIGNED	CHECKED	APPROVED
△					
△					
△					
△					
NO	PART NO.	PART NAME	Q'TY	MATERIAL	REMARKS
APPROVED		TITLE : GAS LIFT			
CHECKED		 Korea Gas Spring CO.,LTD			
DESIGNED					
DATE	2024.06.18	TOL	$\frac{x}{x} = \frac{+0.5}{-0.1}$	SCALE	N/S DRAW-NO