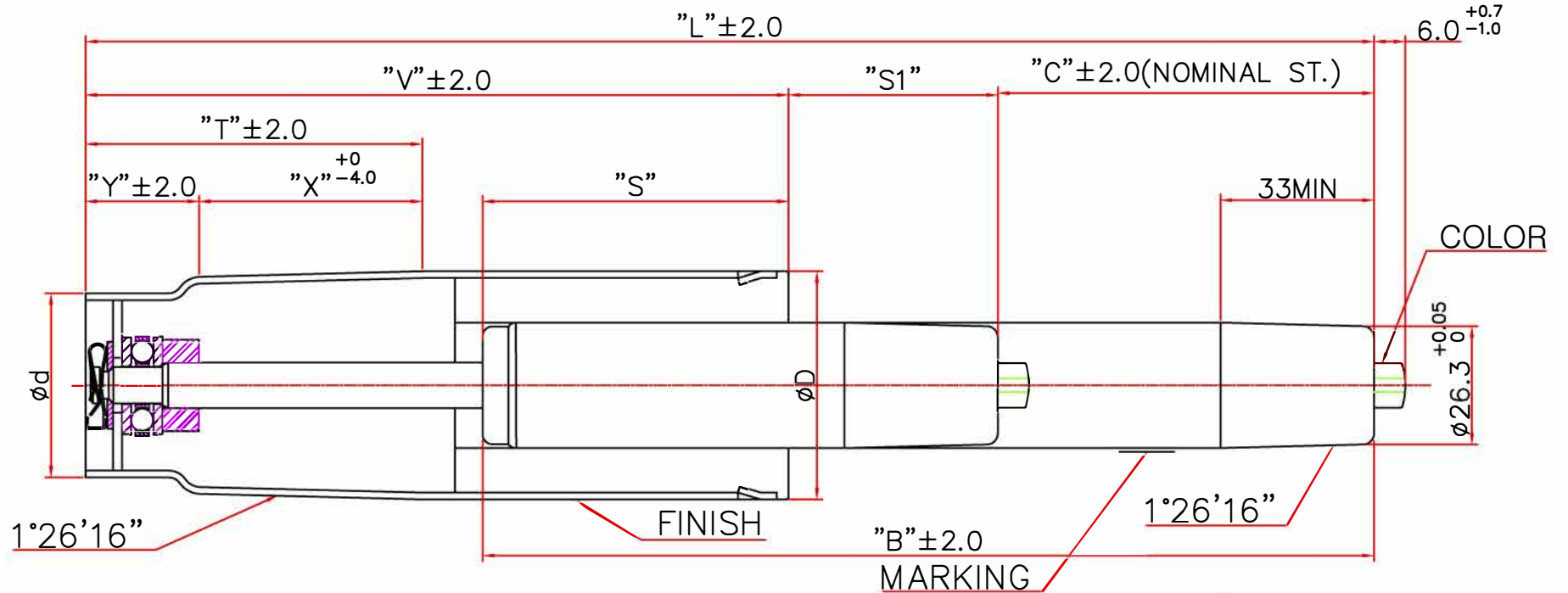
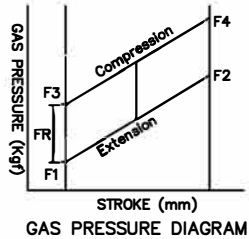


MODEL : GAS LIFT



**MARKING**  
 MADE BY KGS CO.,LTD. 17/13  
 DON'T OPEN OR HEAT! HIGH PRESSURE!  
 TYPE KGL DIN 4550 KLASSE 3.



- NOTES
- 1. GAS PRESSURE F1= 300 N <sup>+40N</sup>/<sub>-20N</sub>, FR MAX=80N
  - 2. CAN FINISH : CHROME PLATING.
  - 3. OUTER PIPE : HARD CHROME PLATING(2.0T).

REV	DATE	DESCRIPTION	DESIGNED	CHECKED	APPROVED
△	200				
△	200				

NO	PART NO.	PART NAME	Q'TY	MATERIAL	REMARKS
APPROVED		TITLE : GAS LIFT (MD)			
CHECKED		KGS Korea Gas Spring CO.,LTD.			
DESIGNED					
DATE	2013.04.25	TOL	X = ±0.5 XX = ±0.1	SCALE	N/S DRAW-NO

NO	MODEL NO.	"L"	"C"	"B"	"V"	"X"	"Y"	"T"	øD	ød	"S"	"S1"	F1(N)	COLOR	FINISH
1	KGL1125-5030C5130	384	117	242	210	58	27	85	ø50	ø40	68	57	300	BLACK	CHROME