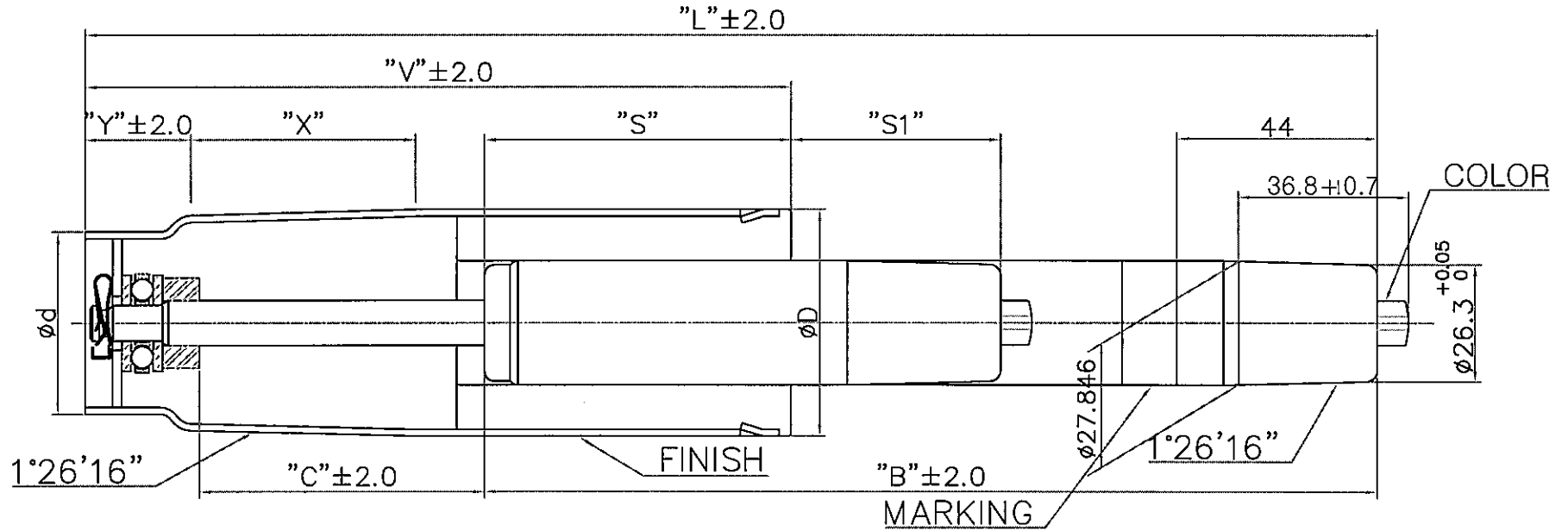


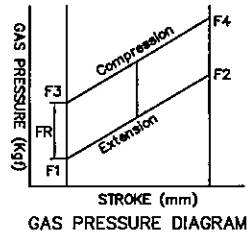
MODEL : GAS LIFT



MARKING

MADE BY KGS CO.,LTD
 DON'T OPEN OR HEAT! HIGH PRESSURE!
 TYPE KGL DIN 4550 KLASSE 3, TUV
 BS 5459 LEVEL 'S'

0707B



NOTES

1. GAS PRESSURE F1= 30 Kg^{+4kgf} -2kgf, FR MAX=8Kgf

- 2 CAN FINISH :
- 3. OUTER PIPE : HARD CHROME PLATING (2.0T).

NO	BUYER CODE	MODEL NO.	"L"	"C"	"B"	"V"	"X"	"Y"	øD	ød	"S"	"S1"	F1(N)	COLOR	FINISH
1	ART 198 BEL	KGL1108-5030C1333	372	100	247	217	58	65	ø50	ø40	92	55	300	BLACK	BLACK
2	ART 198 AV.BEL	KGL1120-5030C1334	384	112	247	215	58	43	ø50	ø40	78	57	300	GREEN	CHROME

REV	DATE	DESCRIPTION	DESIGNED	CHECKED	APPROVED
Δ 200					
Δ 200					

NO	PART NO.	PART NAME	Q'TY	MATERIAL	REMARKS
APPROVED		TITLE : GAS LIFT (MD)			
CHECKED		Korea Gas Spring CO.,LTD.			
DESIGNED					
DATE	2007.07.24	TOL	±0.05 / ±0.1	SCALE	N/S