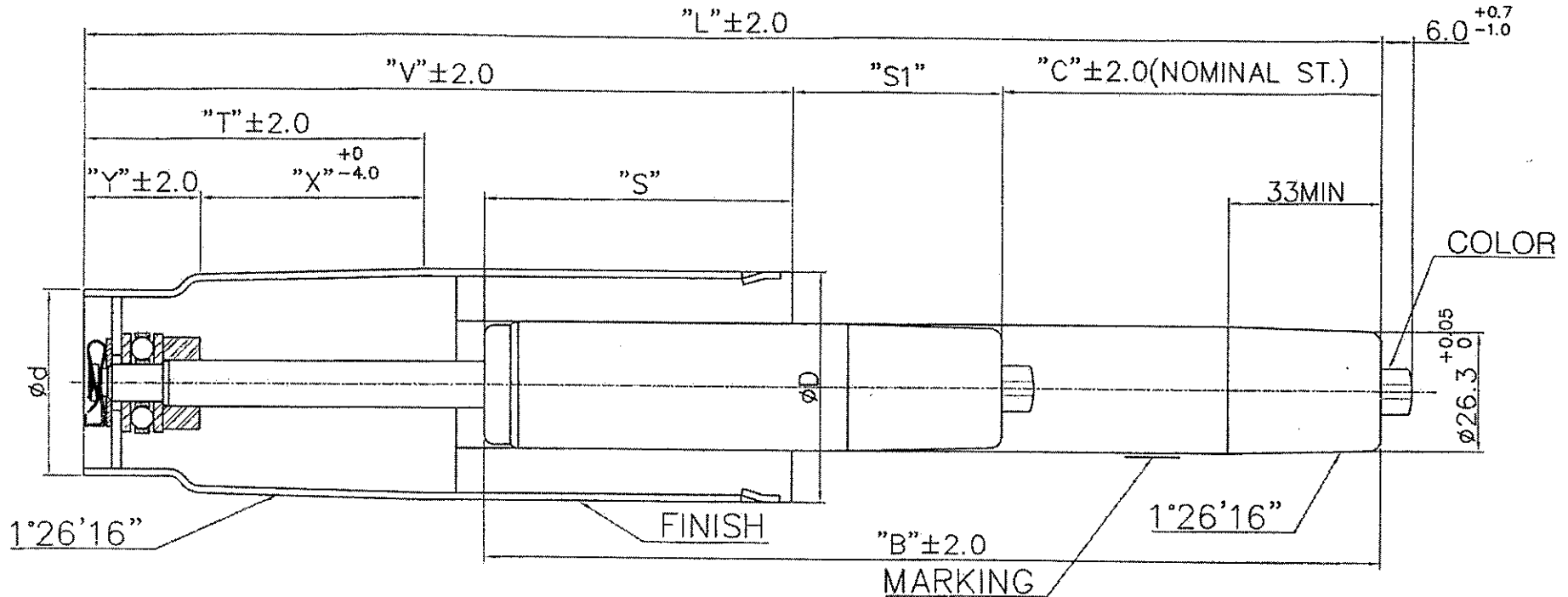
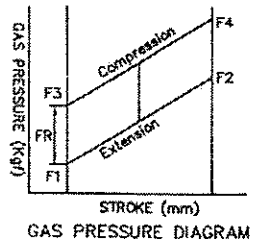


# MODEL : GAS LIFT



**MARKING**  
 MADE BY KGS CO.,LTD  
 DON'T OPEN OR HEAT! HIGH PRESSURE!  
 TYPE KGL DIN 4550 KLASSE 3.  
 21/13



- NOTES**
1. GAS PRESSURE F1= 350 N <sup>+40N</sup>/<sub>-20N</sub> , FR MAX=80N
  2. CAN FINISH : CHROME PLATING.
  3. OUTER PIPE : HARD CHROME PLATING(2.0T).

REV	DATE	DESCRIPTION	DESIGNED	CHECKED	APPROVED
△	2013.05.24	ALL REV.			
△	2012.12.05	"B":223-->227,"Y":200-->203,"Y":70-->48			
NO	PART NO.	PART NAME	Q'TY	MATERIAL	REMARKS
APPROVED			TITLE : GAS LIFT (ICF)		
CHECKED			KGS Korea Gas Spring CO.,LTD.		
DESIGNED			SCALE   N/S   DRAW-NO		
DATE	2012.11.16	TOL	X Y Z	±0.5 ±0.1	

MODEL NO.	"L"	"C"	"B"	"V"	"X"	"Y"	"T"	∅D	∅d	"S"	"S1"	F1(N)	COLOR	FINISH
<GL1116-5035C4927-R2	351	108	218	195	58	50	108	∅50	∅40	62	48	350	BLACK	CHROME