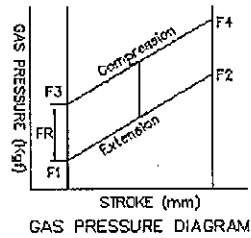
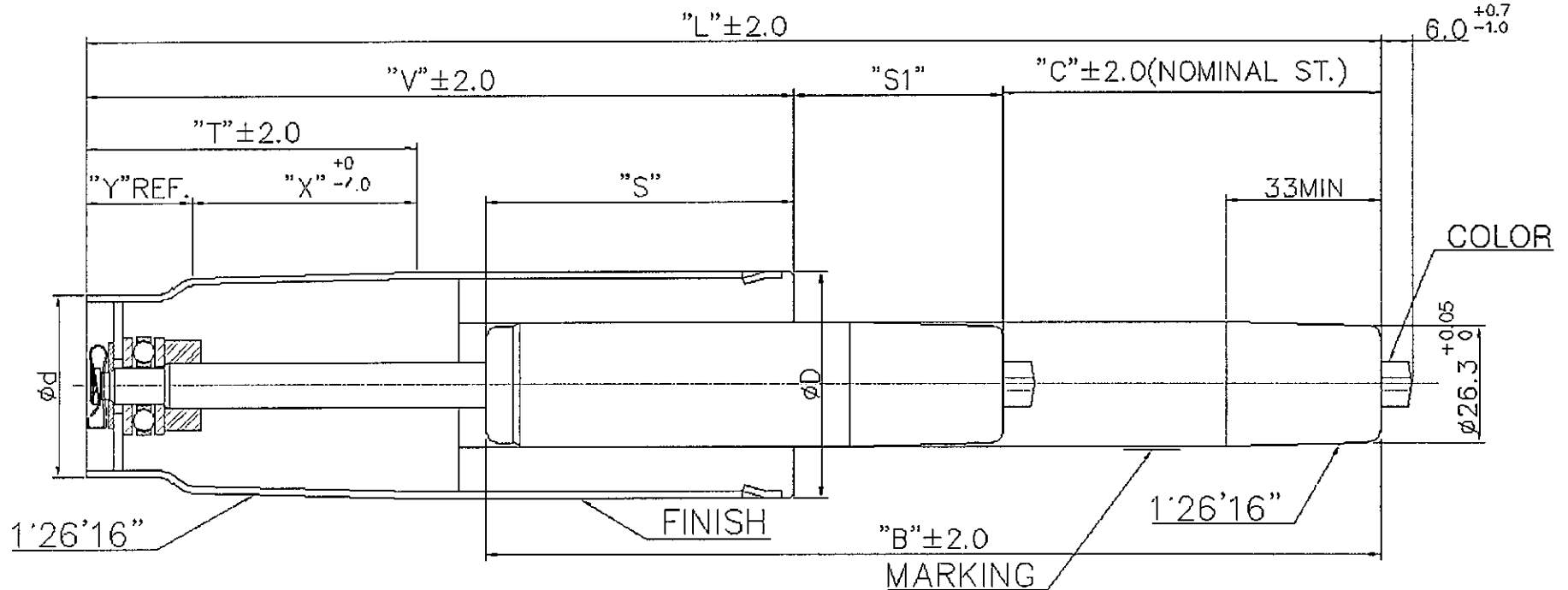


MODEL : GAS LIFT



MADE BY KGS CO., LTD.
 CORP. OPER. ON 1 EA 1.1 GSI PRESSURE
 TYPE 13L DIN 55014 CLASS. 3. CY. L3P

- NOTES
1. GAS PRESSURE F1= 35 kgf ^{+4kgf}/_{-2kgf}, FR MAX=8kgf
 2. CAN FINISH : BLACK PAINTING .
 3. OUTER PIPE : HARD CHROME PLATING (2.0⁻).

REV	DATE	DESCRIPTION	DESIGNED	CHECKED	APPROVED
△	200 . . .				
△	200 . . .				
NO	PART NO.	PART NAME	Q'TY	MATERIAL	REMARKS
APPROVED		TITLE : GAS LIFT (MD)			
CHECKED		KGS Korea Gas Spring CO., LTD.			
DESIGNED					
DATE	2011.12.22	TOL	X _{2x} = ^{+0.5} / _{-0.1}	SCALE	N/S DRAW-NO

NO	MODEL NO.	"L"	"C"	"B"	"V"	"X"	"Y"	"T"	øD	ød	"S"	"S1"	F1(N)	COLOR	FINISH
1	KGL1116-5035C4536	356	108	223	200	58	37	95	ø50	ø40	67	48	350	GREEN	BLACK