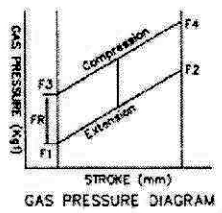
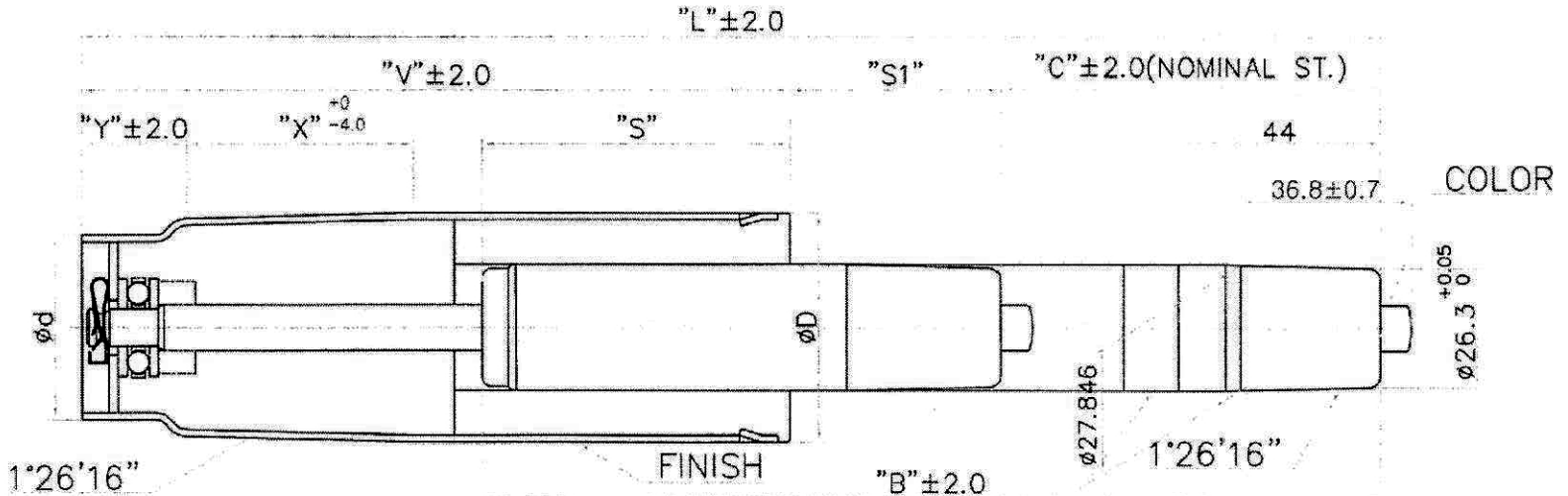


MODEL : GAS LIFT



MARKING

MADA BANGKOK LTD. 0419  
 DUNG TREN (2000) HUNG HUNG PHU PHU  
 TYPE KGL 110 5035C1692 3 412 135  
 01 010-LEVEL 0

- NOTES
- 1. GAS PRESSURE F1= kgf  $\pm 4\text{kgf}$  FR (MAX=8kgf)
  - 2. CAN FINISH : BLACK PAINTING.
  - 3. OUTER PIPE : HARD CHROME PLATING(0.01).

NO	BUYER CODE	MODEL NO.	"L"	"C"	"B"	"V"	"X"	"Y"	$\phi D$	$\phi d$	"S"	"S1"	F1(N)	COLOR	FINISH
1		KGL1140-5035C1691	417	132	260	228	58	122	$\phi 50$	$\phi 44$	71	57	350	BLACK	BLACK
2	347	KGL1143-5035C1692	412	135	252	232	58	47	$\phi 50$	$\phi 40$	72	45	350	GREEN	BLACK
3	344	KGL1108-5035C1693	372	100	247	217	58	65	$\phi 50$	$\phi 40$	92	55	350	BLACK	BLACK
4	345	KGL1143-5040C1694	412	135	252	230	65	0	$\phi 50$		70	47	400	GREEN	BLACK
5	346	KGL1100-5040C1695	349	92	232	185	65	0	$\phi 50$		68	72	400	GREEN	BLACK

REV	DATE	DESCRIPTION	DESIGNED	CHECKED	APPROVED
$\Delta$	200				
$\Delta$	200				

NO	PART NO.	PART NAME	Q'TY	MATERIAL	REMARKS
APPROVED		TITLE : GAS LIFT			
CHECKED		KGS Korea Gas Spring CO.,LTD.			
DESIGNED					
DATE	2008 04 01	TOL	$\frac{+0.05}{-0.05}$	SCALE	N/S DRAW-NO