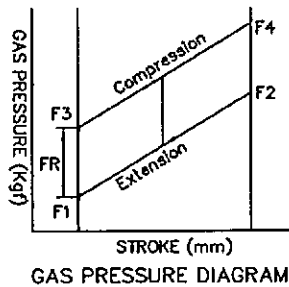
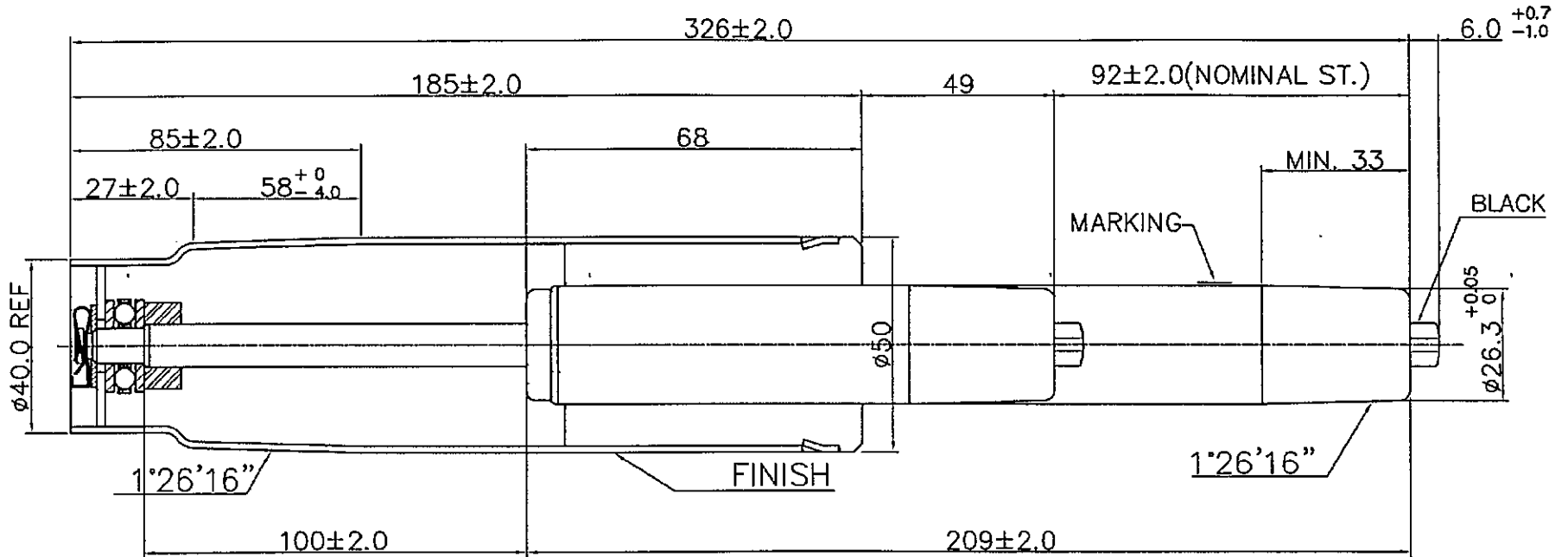


MODEL : GAS LIFT  
 SAMPLE NUMBER : KGL1100-5040CB-C5324



MARKING SPEC

44/13  
 MADE BY KGS CO.,LTD  
 DON'T OPEN OR HEAT! HIGH PRESSURE!  
 TYPE KGL DIN 4550 KLASSE 3.

NOTES

1. GAS PRESSURE F1= 40 Kgf, F2= 40 Kgf, FR MAX=8Kgf

2. CAN FINISH : BLACK PAINT ( 114B-100020 )

3. OUTER PIPE : CHROME PLATING ( 2.0T )

REV	DATE	DESCRIPTION	DESIGNED	CHECKED	APPROVED
△	201				
△	201				
NO	PART NO.	PART NAME	Q'TY	MATERIAL	REMARKS
APPROVED		TITLE : GAS LIFT (MD-NUMAS)			
CHECKED		KGS Korea Gas Spring CO.,LTD.			
DESIGNED					
DATE	2013.10.29	TOL	Σ = ±0.05 Σ = ±0.1	SCALE	N/S DRAW-NO