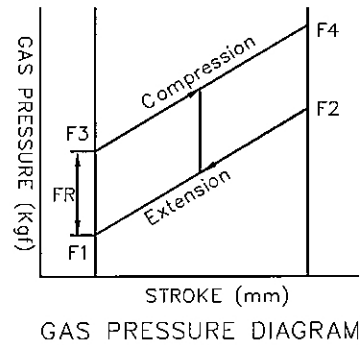
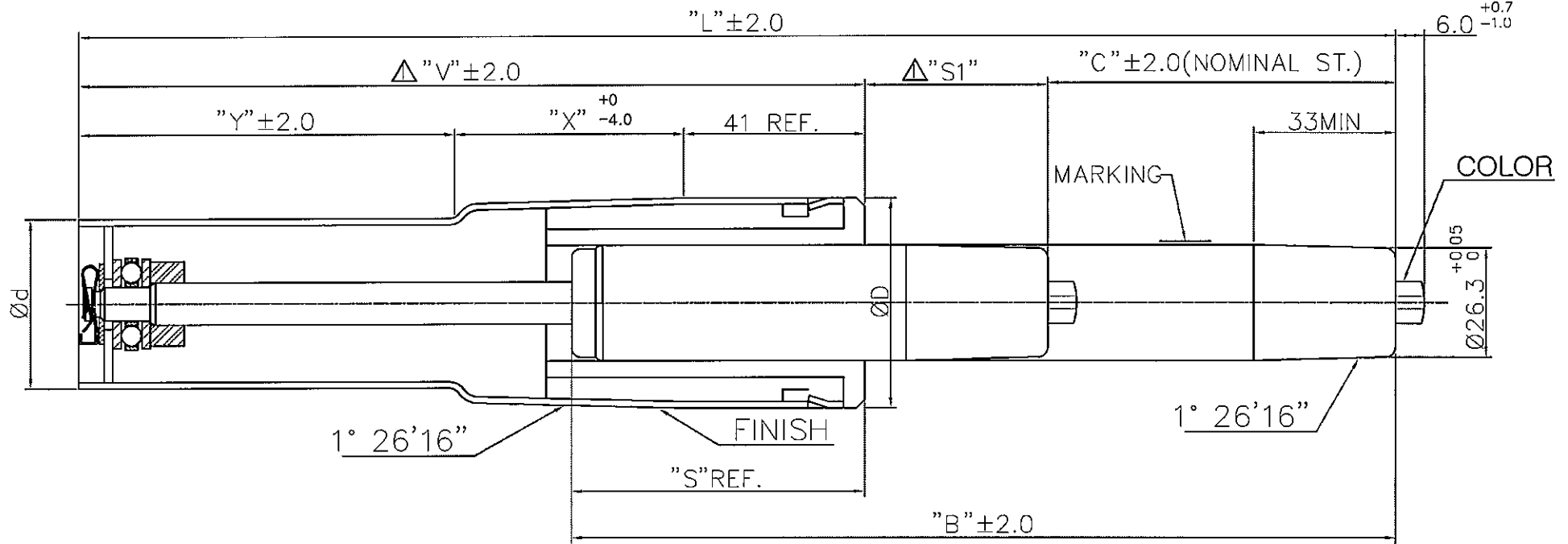


SAMPLE NO : GAS LIFT
 KGS MODEL NO : KGL1100-5040BU REV. 01



42/10
 MADE BY KGS CO.,LTD
 DON'T OPEN OR HEAT! HIGH PRESSURE!
 TYPE KGL DIN 4550 KLASSE 3.

- NOTES
 1. GAS PRESSURE F1= 40 Kgf^{+4Kgf}_{-2Kgf}, FR MAX=8Kgf
 2. CAN FINISH : CHROME PLATING(1.5T).
 3. OUTER PIPE : HARD CHROME PLATING (2.0T).

REV	DATE	DESCRIPTION	DESIGNED	CHECKED	APPROVED
△	200				
△	2015.01.13	V 212--->209, S145--->48			
NO	PART NO.	PART NAME	Q'TY	MATERIAL	REMARKS
APPROVED			TITLE : GAS LIFT (MD)		
CHECKED			KGS Korea Gas Spring CO.,LTD.		
DESIGNED			DATE 2010.10.20 TOL X = ±0.5 XX = ±0.1 SCALE N/S DRAW-NO		

NO	MODEL NO.	"L"	"C"	"B"	"V"	"X"	"Y"	ØD	Ød	"S"	"S1"	F1(N)	COLOR	FINISH
1	KGL1100-5040C 4045-R1	349	92	232	209	58	110	Ø50	Ø44	95	48	400	GREEN	CHROME