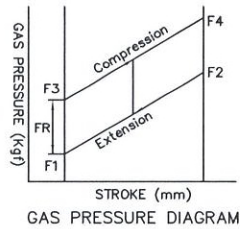
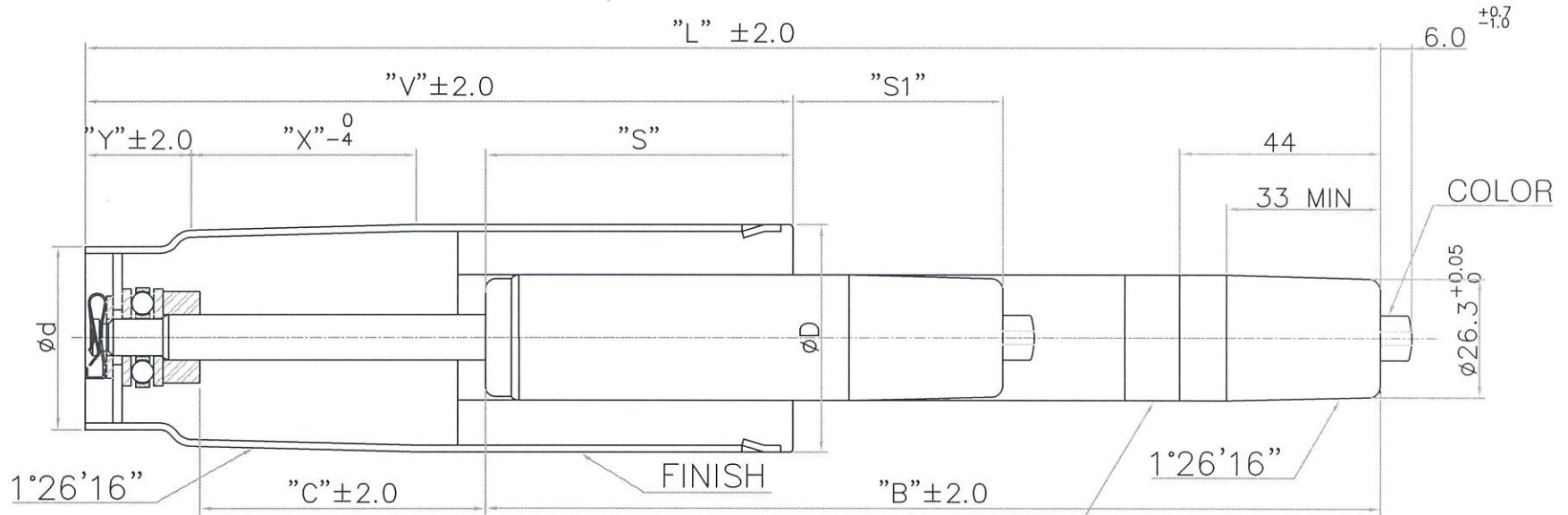


MODEL : GAS LIFT



MARKING

MADE BY KGS CO.,LTD
 DON'T OPEN OR HEAT! HIGH PRESSURE!
 TYPE: KGL DIN 4550 KLASSE 3, TUV
 BS 5459 LEVEL 'S'

0703A

NOTES
 1. GAS PRESSURE F1= $\frac{+4Kgf}{KgI-2Kgf}$, FR MAX=8Kgf

2 CAN FINISH :

3. OUTER PIPE : HARD CHROME PLATING (2.0T).

NO	BUYER CODE	MODEL NO.	"L"	"C"	"B"	"V"	"X"	"Y"	∅D	∅d	"S"	"S1"	F1(N)	COLOR	FINISH
1	ART.956025008	KGL1140-5030C1025	417	132	260	232	58	122	∅50	∅44	75	53	300	BLACK	BLACK
2	ART.956019007	KGL1100-5035UC1026	349	92	232	197	58	0	∅50		80	60	350	BLACK	BLACK
3	ART.956020008	KGL1100-5035C1027	349	92	232	197	58	0	∅50		80	60	350	BLACK	CHROME
4	ART.956017008	KGL1100-5035C1028	349	92	232	197	58	43	∅50	∅40	80	60	350	BLACK	BLACK
5	ART.956017009	KGL1100-5035C1029	349	92	232	197	58	43	∅50	∅40	80	60	350	BLACK	CHROME
6	ART.956060008	KGL1120-5030C1030	369	112	232	217	58	60	∅50	∅40	80	40	300	BLACK	BLACK
7	ART.956063009	KGL1120-5030C1032	369	112	232	217	58	60	∅50	∅40	80	40	300	BLACK	CHROME

REV	DATE	DESCRIPTION	DESIGNED	CHECKED	APPROVED
△	200				
△	200				

NO	PART NO.	PART NAME	Q'TY	MATERIAL	REMARKS
APPROVED		TITLE : GAS LIFT (MD :FORSLIT)			
CHECKED		Korea Gas Spring CO.,LTD.			
DESIGNED					
DATE	2007.03.13	TOL	X XX = ±0.5 XX = ±0.1	SCALE	N/S DRAW-NO