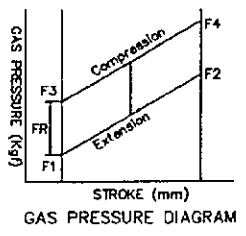
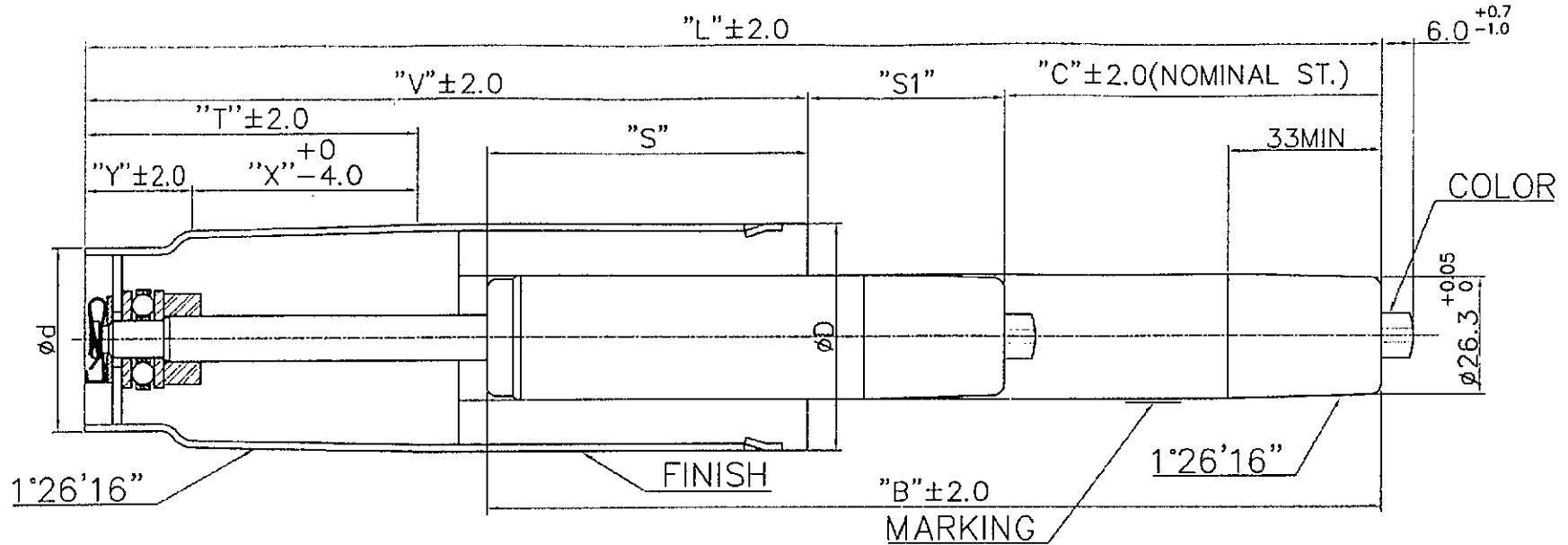


MODEL : GAS LIFT



28/11  
 MADE BY KGS CO.,LTD  
 DON'T OPEN OR HEAT! HIGH PRESSURE!  
 TYPE KGL O.N 4550 KLASSE 5 11.N. GA

- NOTES
1. GAS PRESSURE F1= 40 Kgf <sup>+4Kgf</sup> <sub>-2Kgf</sub>, FR MAX=8Kgf
  2. CAN FINISH : BLACK PAINTING (1.5T).
  3. OUTER PIPE : HARD CHROME PLATING (2.0T).

NO	MODEL NO.	"L"	"C"	"B"	"V"	"X"	"Y"	"T"	øD	ød	"S"	"S1"	F1(N)	COLOR	FINISH
1	KGL1080-5040C4360	306	72	209	168	58	43	101	ø50	ø40	71	66	400	GREEN	BLACK

REV	DATE	DESCRIPTION	DESIGNED	CHECKED	APPROVED
Δ	201				
Δ	201				
NO	PART NO.	PART NAME	Q'TY	MATERIAL	REMARKS
APPROVED			TITLE : GAS LIFT (COMPOTEK)		
CHECKED			KGS Korea Gas Spring CO.,LTD.		
DESIGNED			SCALE N/S DRAW-NO		
DATE	2011.06.22	TOL	X = +0.05 XX = 0.01	SCALE	N/S DRAW-NO