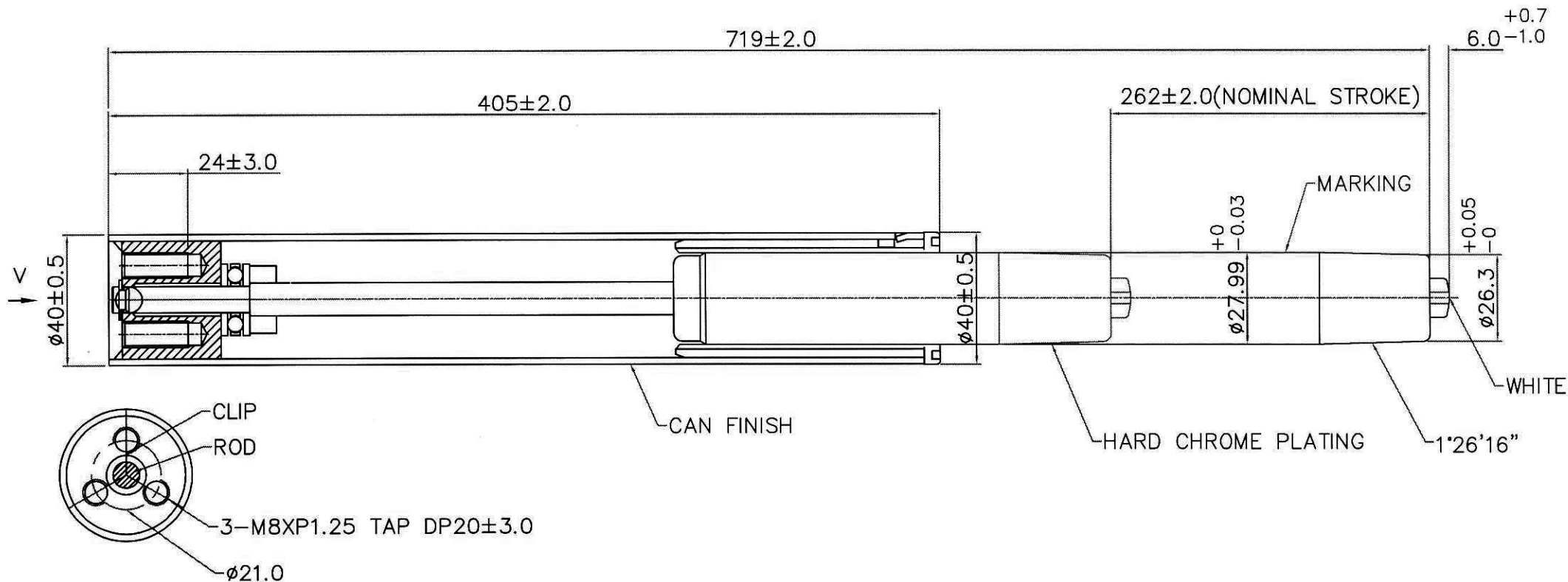
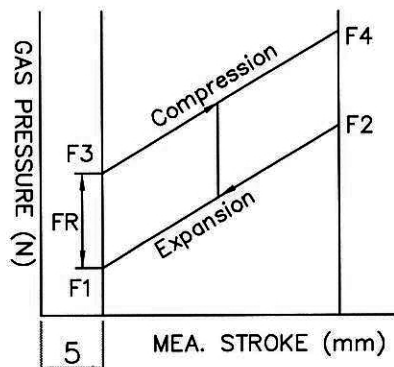


# MODEL NO. : KGF3270-4030CS081



VIEW "V"

REV.  $\phi 19.0 \text{---} \rightarrow \phi 21.0$



GAS PRESSURE DIAGRAM

### MARKING SPEC

06 12 B

MADE BY KGS CO.,LTD.  
 DON'T OPEN OR HEAT! HIGH PRESSURE!  
 TYPE KGL DIN 4550 KLASSE 3. TUV  
 BS 5459 LEVEL "S"

### NOTES

1. GAS PRESSURE F1= 300 <sup>+40N</sup> -20N , FR MAX=100N
2. OUTER PIPE : HARD CHROME PLATING
3. CAN FINISH : CHROME PLATING

REV	DATE	DESCRIPTION	DESIGNED	CHECKED	APPROVED
△	200 . .				
△	200 . .				
NO	PART NO.	PART NAME	Q'TY	MATERIAL	REMARKS
APPROVED		TITLE : GAS LIFT (MD &WELLA)			
CHECKED		Korea Gas Spring CO.,LTD.			
DESIGNED					
DATE	2006.12.21	TOL	$\frac{x}{xx} = \frac{\pm 0.5}{\pm 0.1}$	SCALE	N/S DRAW-NO